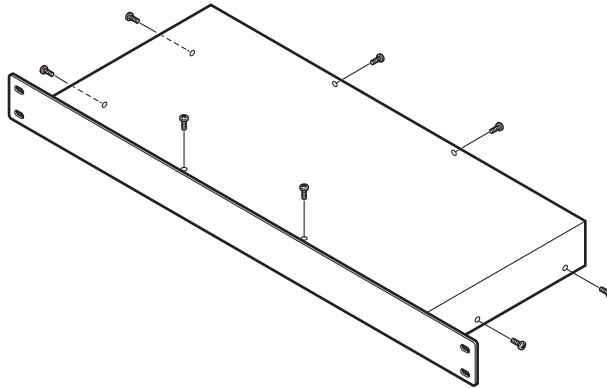


DR-1X/E Additional Sheet

Set up instructions to interface the Triple Repeater Controller S-COM7330 with the DR-1X/E.
(NOTICE: The earlier DR-1 cannot interface with the external controller)

Modification of S-COM7330

Remove the 6 screws from each side and 2 screws from the top cover of the S-COM7330, then remove the top cover.

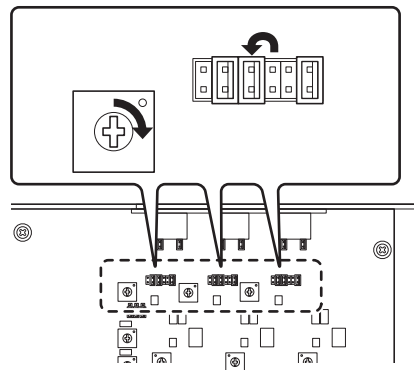


● Hardware modifications

Change Jumper pin J10C or J11C or J3C and adjust the semi fixed AF volume gain up for RX1 or RX2 or RX3.

● Command Settings

- Select Path Access Mode = Carrier and CTCSS
- Select COR Filter Delay = 300 msec
- Select Dropout Delay = 0 sec



Setting of DR-1X/E

MODE : FM (FIX) ↔ FM (FIX)

SQL : R-TONE (100 Hz)

Connection with S-COM7330 and DR-1X/E

DR-1		S-COM7330		Connection
pin 1	EXT I/O	pin 1	RX Audio	Connect to the DR-1 AF out
pin 2	EXT PTT	pin 2	RX COR	Connect to DR-1 SQL DET
pin 3	CTCSS/DCS DET	pin 3	CTCSS in	Connect to DR-1 CTCSS/DCS decode output
pin 4	SQL DET	pin 4	TX PTT	Connect to DR-1 EXTPTT
pin 5	GND	pin 5	TX Audio	Connect to DR-1 AF in
pin 6	TONE IN	pin 6	GND	DR-1 GND
pin 7	AF IN	pin 7	GND	DR-1 GND
pin 8	DISC OUT	pin 8	TX pin 8	Select TX LOGIC or TX CTCSS by JP pin
pin 9	AF OUT	pin 9	GND	DR-1 GND
pin 10	GND	I/O Controller pin 1 to 6	Logic output	Connect to DR-1 EXT I/O (needs S-COM programming)
pin 11	EXT PORT1	I/O Controller pin 1 to 6	Logic output	Connect to DR-1 EXT PORT1 (needs S-COM programming)
pin 12	EXT PORT2	I/O Controller pin 1 to 6	Logic output	Connect to DR-1 EXT PORT2 (needs S-COM programming)
pin 13	EXT PORT3	I/O Controller pin 1 to 6	Logic output	Connect to DR-1 EXT PORT3 (needs S-COM programming)
pin 14	EXT PORT4	I/O Controller pin 1 to 6	Logic output	Connect to DR-1 EXT PORT4 (needs S-COM programming)
pin 15	VCC OUT	DC jack	DC in	Connect to DR-1 VCC out

The wiring paths shown by the green dotted lines require programming the S-COM7330.

pin1 EXT I/O	Jumper to pin 2 EXT PTT or connect to S-COM7330 LOGIC OUT (L: EXT I/O enable)
pin2 EXT PTT	EXT PTT input from S-COM7330. It will be controlled by RX COR normally.
pin3 CTCSS DET	Signaling decode output (CTCSS/DCS etc)
pin4 SQL DET	Noise SQL decode output (Connect to RX COR)
pin5 GND	GND
pin6 Tone in	Tone input from S-COM7330 (Connect to TX pin8)
pin7 AF in	Modulation input from S-COM7330
pin8 Disc out	RX audio output without de-emphasis
pin9 AF out	RX audio output with de-emphasis
pin10 GND	GND



NOTICE

1. It can relay only in FM FIX / FM FIX by the external controller.
2. In the FM FIX / Digital FIX, audio of uplink can not relay. But the audio input signal from the external controller can transmit in digital mode by EXTPTT on.
3. You can send by the microphone input +PTT input of the front panel in setting except AMS/AMS.

Connecting S-COM7330

S-COM7330

